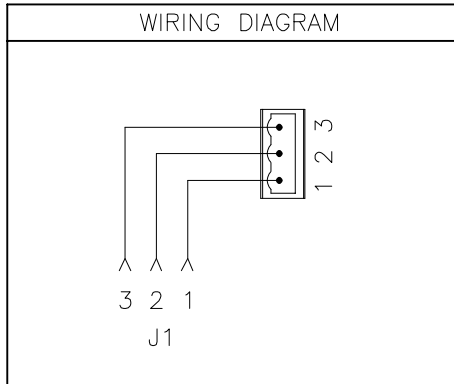
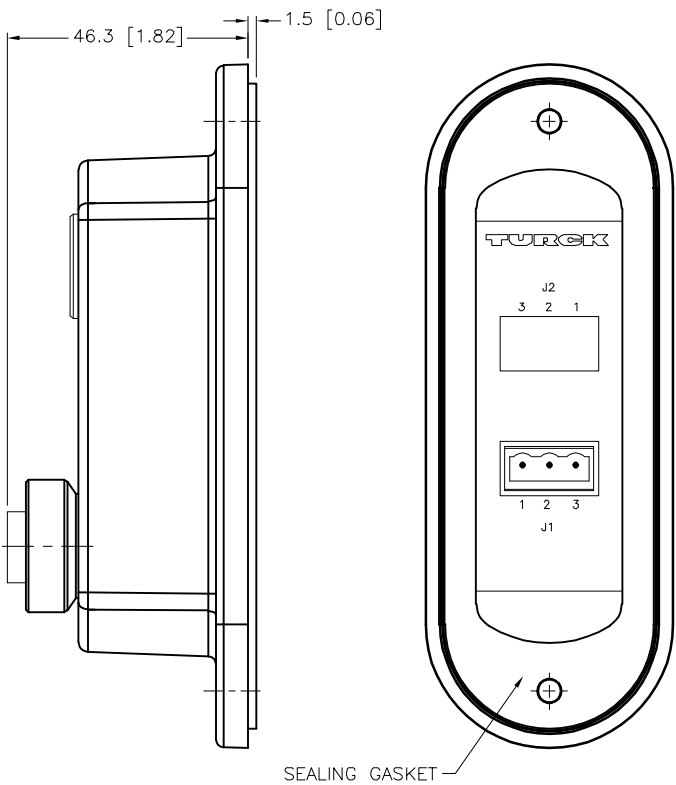
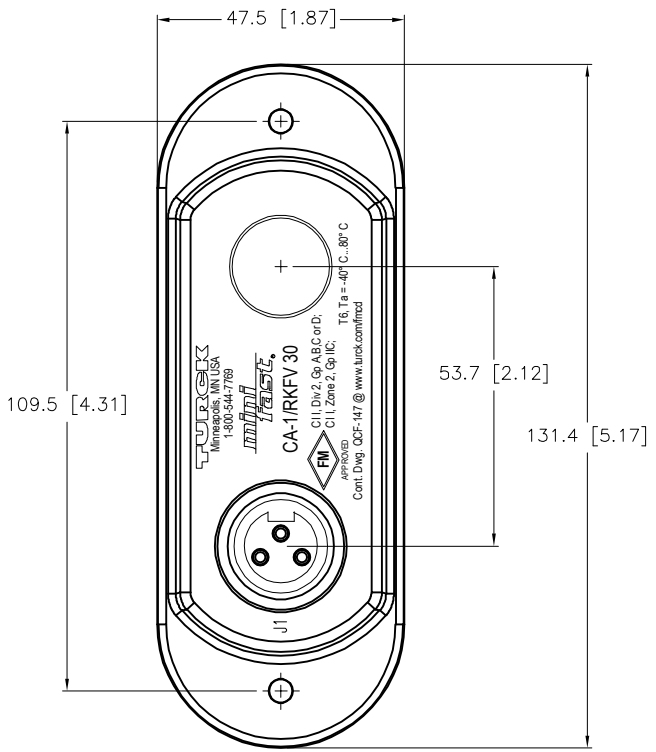


J1 CONNECTOR	TERMINAL BLOCK PLUG	COVER SCREWS INCLUDED	TERMINAL PLUG INCLUDED	SPECIFICATIONS	
		 FORM 8 CONDUIT BODIES: 10-24 SCREWS MARK 9 CONDUIT BODIES: 8-32 SCREWS		HOUSING MATERIAL/COLOR	NYLON 66 - 33% GLASS FILLED/BLACK
				RECEPTACLE HOUSING MATERIAL/FINISH	STAINLESS STEEL/PASSIVATED
				CONTACT CARRIERS/COLOR	TPU/BLACK
				CONTACT MATERIAL/PLATING	BRASS/GOLD
				OPERATING VOLTAGE	250 V
				OPERATING CURRENT	9.0 A PER CONDUCTOR
				PROTECTION CLASS to DIN 40050	IP 67 - ONLY WHEN ALL RECEPTACLES ARE COVERED WITH PLUGS OR CONNECTED
				OPERATING TEMPERATURE	-30°C TO +80°C (-22°F TO +176°F)



SOURCE DRAWING - FOR REFERENCE ONLY

RELATED DOCUMENTS 1. 2. 3. 4.	3RD ANGLE PROJECTION 	THIS DRAWING IS CONFIDENTIAL AND THE PROPERTY OF TURCK INC. USE OF THIS DOCUMENT WITHOUT WRITTEN PERMISSION IS PROHIBITED.	TURCK 3000 CAMPUS DRIVE MINNEAPOLIS, MN 55441 1-800-544-7769 (763) 553-7300 (763) 553-0708 fax www.turck.us	
	MATERIAL SEE SPECIFICATIONS	ALL DIMENSIONS DISPLAYED ON THIS DRAWING ARE FOR REFERENCE ONLY	DRFT DD DATE 08/25/03 APVD DD SCALE 1=1.5	DESCRIPTION CA-1/RKFV 30
	FINISH SEE SPECIFICATIONS		UNIT OF MEASUREMENT MILLIMETER [INCH]	IDENTIFICATION NO. U0938-07
	G UPDATED OPERATING TEMPERATURE AS 06/23/26 81910	CONTACT TURCK FOR MORE INFORMATION	DO NOT SCALE THIS DRAWING	REV G
REV DESCRIPTION BY DATE ECO NO.		FILE: U0938-07	SHEET 1 OF 1	